

VX-101EP-KIT

Industrial Long Reach Ethernet Extender over UTP



Description

Versa Technology's VX-101EP-KIT, long reach Ethernet extender kit, provides a plug-n-play solution for Ethernet traffic and power over Ethernet cables up to 800 meters.

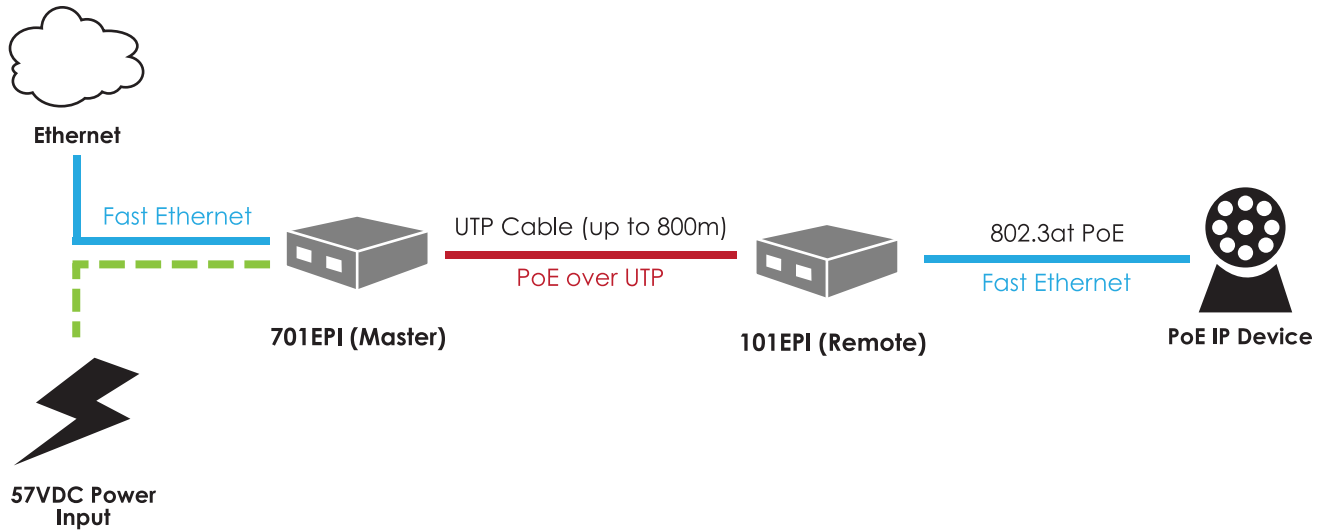
To make installation easy, the 701EPI (master unit) is designed to locate the Ethernet network side and connect to the companion 101EPI (remote unit). Without the needs of redundant long distance power cabling, the 101EPI (remote unit) receives the power from the 701EPI (master unit) and offers 802.3at Power-over-Ethernet for remote devices such as IP cameras.

With the intelligent built-in LFPT (Link Fault Pass Through) function in each device, the network administrator is able to monitor the link status easily and turn on and off an IP camera remotely from the control center. This helps eliminate maintenance time and cost.

Features

- Ethernet over UTP cable up to 800 meters
- Eliminate long distance power cabling
- Industrial design for harsh environments
- 6KV surge protection
- EN50121-4 compliant for Railway trackside
- Plug-n-Play simple installation
- Remote link monitoring and power-on/off IP camera

Application

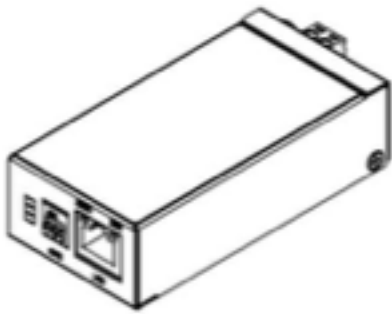


Specifications

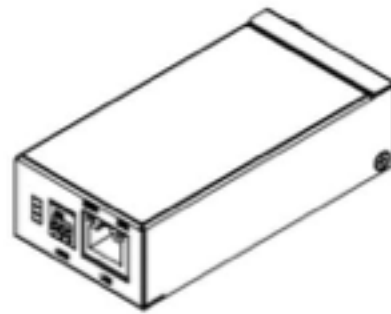
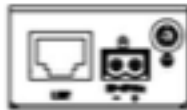
	701EPI (Master)	101EPI (Remote)
Line Interface	<ul style="list-style-type: none"> • Connector: RJ45 x 1 • Compliance: IEEE 802.3/802.3u • PoE: Passive PoE PSE 	<ul style="list-style-type: none"> • Connector: RJ45 x 1 • Compliance: IEEE 802.3/802.3u • PoE: Passive PoE PD
LAN Interface	<ul style="list-style-type: none"> • Connector: RJ45 x 1 • Compliance: IEEE 802.3/802.3u 	<ul style="list-style-type: none"> • Connector: RJ45 x 1 • Compliance: IEEE 802.3/802.3u/802.3at/802.3af • PoE: PSE
Power Input	<ul style="list-style-type: none"> • 2-pin Terminal Block 55 ~ 57VDC 	<ul style="list-style-type: none"> • Powered by LINE interface
System Power Consumption	<ul style="list-style-type: none"> • < 3 watts 	
Environment	<ul style="list-style-type: none"> • Operating Temp: -40°C to 75°C • Humidity: 0% - 95% RH (non-condensing) 	
Physical	<ul style="list-style-type: none"> • Metal enclosure • Dimensions: 47 x 26.5 x 94 mm (W x H x D) 	

Regulatory Compliance

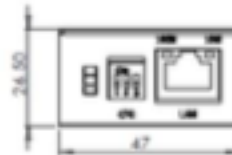
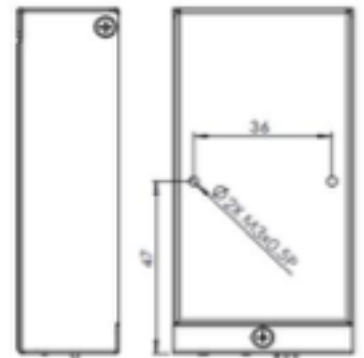
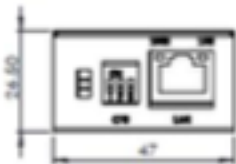
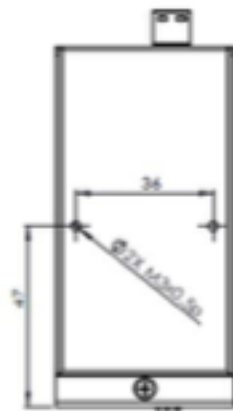
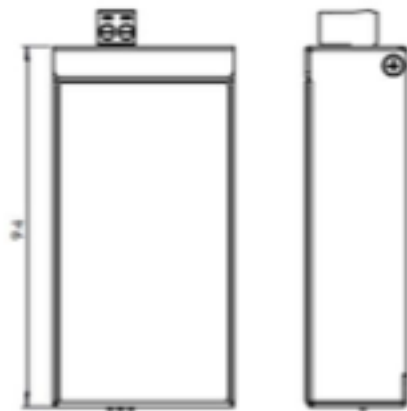
- CE
- FCC Part 15
- EN62368, EN60000-4-5, EN50121-4



701EPI



101EPI



Reference Performance Data

Data/Power Range (Power Input: 57VDC)

	Cat 6 UTP 4 Pairs, 701EPI		Cat 6 UTP 2 Pairs, 701EPI	
<i>Distance</i>	<i>Link Speed (Mbps)</i>	<i>101EPI PoE Output (watts)</i>	<i>Link Speed (Mbps)</i>	<i>101EPI PoE Output (watts)</i>
200m	100Mbps	30W	100Mbps	30W
300m	100Mbps	30W	100Mbps	23.2W
400m	100Mbps	30W	100Mbps	16.9W
500m	100Mbps	28.3W	100Mbps	13.1W
600m	10Mbps	23.2W	10Mbps	10.6W
800m	10Mbps	16.9W	10Mbps	7.5W

* The above data is for reference only, the actual performance may vary depending on the quality of the cable and environmental conditions.