

Quick Installation Guide

INTRODUCTION

The H30-082-30 unmanaged switch supports 8x GbE PoE and 2x GbE SFP ports. It is IEEE 802.3at/af compliant and delivers the real full-load output of 240W on 8 PoE ports (30W per port). This industrial switch also features a wide operating temperature range from -40°C to 75°C for harsh environment.

PACKAGE CONTENTS

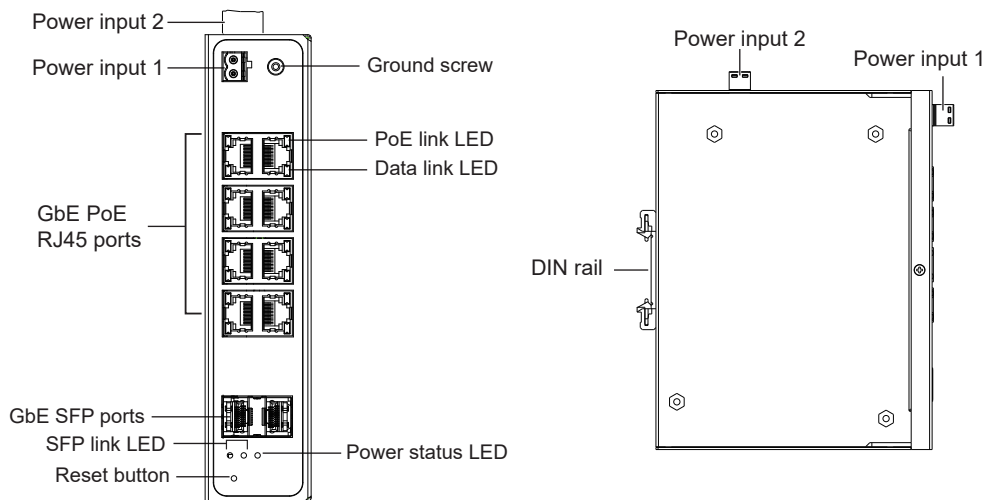
* 1x PoE switch	* 1x Quick Installation Guide	* 2x 2pin terminal block
* 1x DIN rail bracket		

⚠ IMPORTANT:

1. Install the converter in a ventilated and dry place that is free of electromagnetic source, vibration, moisture, and dust.
2. Make sure the ventilation openings on the converter are not blocked.
3. Use fiber optic cables and transceiver compliant with the following: Multi-mode: 50/125um, 62.5/125um, 850nm; Single-mode): 9/125um ,1310nm.
4. DC input (48~56VDC). Follow the printed polarity for V+, V-, and Ground.

CONNECTION

1. Pull out the 2-pin terminal block.
2. Connect power wires to V+, and V- (48V~56VDC). Use a flatblade screwdriver to secure the wire-clamp screws.
3. Connect SFP transceivers to the fiber port.
4. install the 2-pin terminal block, and check power LED.
5. The switch must be grounded properly by using a ground wire to connect switch ground screw to earth ground, otherwise, the surge protection level will be greatly reduced.



Power LEDs

LED	Color	State	Description
Power	Amber	On	The switch is powered on correctly.
		Off	Not receiving power from power 1 or power 2.
PoE Link	Amber	On	PD is detected on the designated port.
		Off	No PD is detected.
Data Link	Green	On	Tx link is detected.
		Off	Link is not detected.
		Flashing	Data is being transmitted or received.
SFP Link	Green	On	Fiber link is detected.
		Off	Fiber link is not detected.
		Flashing	Data is being transmitted or received.

All specifications are subject to change without notice.
Copyright © 2018 AETEK INC. All rights reserved.