

VX-GPF1626

Quick Installation Guide

© 2016, Versa Technology Corporation. All rights reserved. All brand and product names are trademarks or registered trademarks of their respective companies

Contents

Chapter 1	Introduction.....	1
	Overview	1
	Front panel of the Switch	1
	Rear panel of the Switch.....	2
Chapter 2	Installing The Switch.....	3
	Package Contents	4
	Mounting the Switch in a 19-inch Rack.....	4
	Mounting the Switch on Desk or Shelf	5
	Connecting the AC Power Cord.....	6
	Installing SFP Modules.....	7
	Connecting Console Port.....	7
Chapter 3	Managing Switch Using the Web Interface	8
	Manage the Switch Using Web Browser.....	8
Chapter 4	Troubleshooting.....	9
Appendix A	Technical Specifications	10
	Hardware Specification	10
	1000 MBPS Gigabit Ethernet Collision Domain	11

Chapter 1 Introduction

Overview

The VX-GPF1626 is an IEEE-compliant, 26-port PoE GbE Web Smart+ Switch with powerful management features that will boost your network's performance.

This guide describes hardware installation and basic troubleshooting for the unit.

Front panel of the Switch

Figure 1 Front panel of the switch

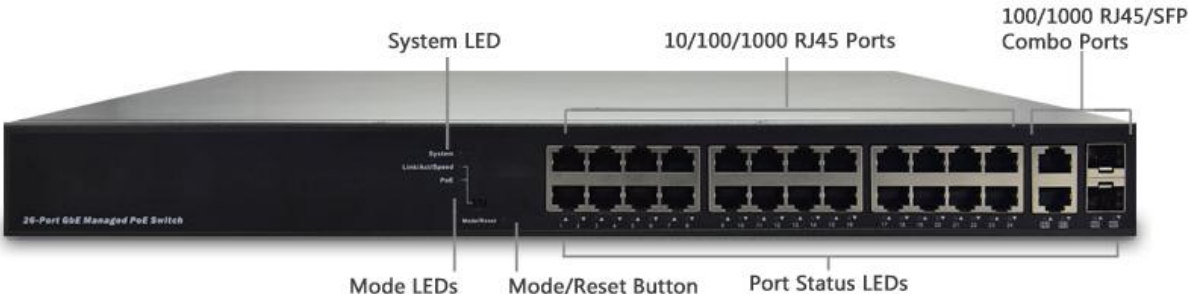


Table 1 Port Status LEDs

LED	Condition	Status
TP (Link/Act/Speed)	Green/Blink	Lit Green when TP links on 1000Mbps Amber when TP links on 10/100Mbps
TP (PoE)	Green/Off	Lit Green when PoE links are functioning
SFP (Link/Act/Speed)	Green/Blink	Lit Green when SFP links are functioning Lit Green when SFP links are 1000Mbps. Amber when SFP links are 100Mbps

Table 2 System Status LED

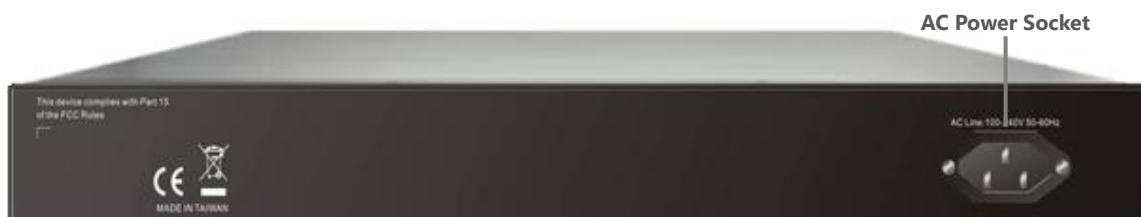
SYSTEM LED	Condition	status
System	Green OFF	Lit when power is coming up

Table 3 Mode Status LED

LED	Condition	Status
Link/ACT/Speed	Green	Green when the link is 1000Mbps
	Yellow	Yellow when the link is 100Mbps
	OFF	Off when the link is 10Mbps
PoE	Green OFF	Lit Green when LEDs of each port are in PoE Mode

Rear panel of the Switch

Figure 2 Rear panel of the switch



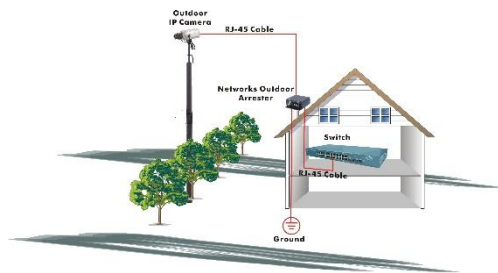


CAUTION: Circuit devices are sensitive to static electricity, which can damage their sensitive electronics. Dry weather conditions or walking across a carpeted floor may cause users to acquire a static electrical charge.

To protect your device, always:

- Touch the metal chassis of your computer to ground the static electrical charge before you pick up the electronic device.
- It is recommended to use a surge arrester for all outdoor devices

Figure 3 Add a surge arrester between the outdoor device and switch



NOTE: The switch is an indoor device; if used with outdoor devices such as outdoor IP camera or outdoor WiFi APs, users must install a surge arrester to protect the switch



WARNING:

- Tampering, mishandling or improper installation of the device will void manufacturer's warranty.
- Do not place the switch in outdoor environment.
- Before installation, please make sure the input voltage meets the product's specified power requirements.
- Before importing / exporting configuration file, please make sure the firmware version is always the same.

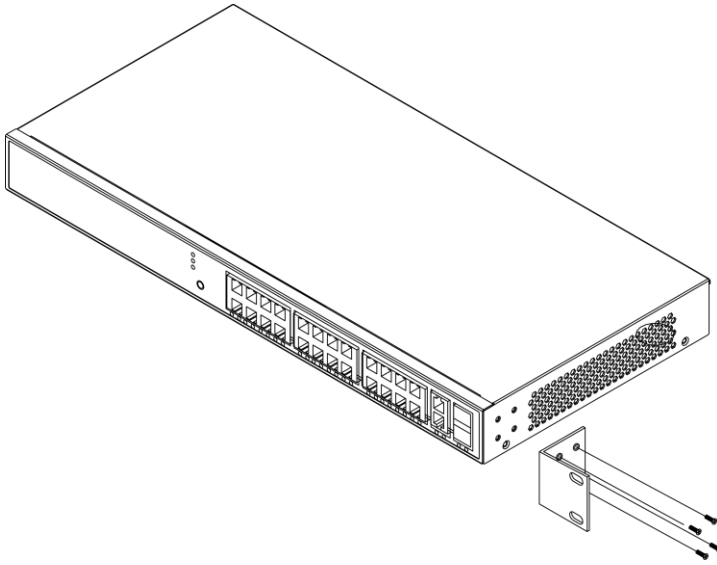
Package Contents

- VX-GPF1626 GbE Management Switch
- Four adhesive rubber feet
- Mounting Accessory (Optional for 19" Rack Shelf)
- Installation Guide
- AC Power cord
- Console cable

Mounting the Switch in a 19-inch Rack

Step1. Attach the mounting brackets to both sides of the chassis with screws.

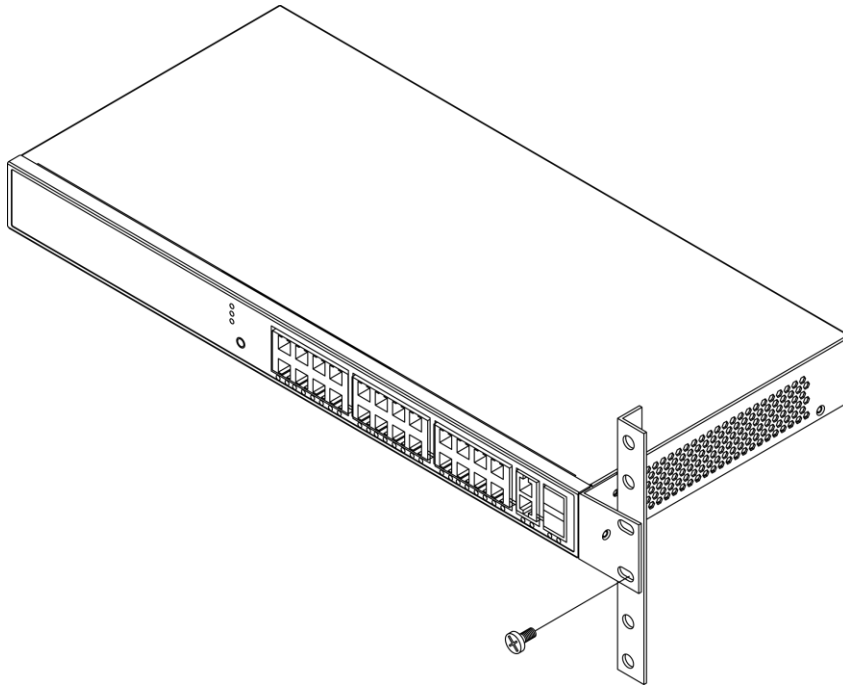
Figure 4 Attaching mounting brackets to the switch



Step2. Place the switch on a rack shelf in the rack. Push the switch in until the oval holes in the brackets align with the mounting holes in the rack posts.

Step3. Attach the mounting brackets to the rack posts with screws.

Figure 5 Attaching mounting brackets to the rack post

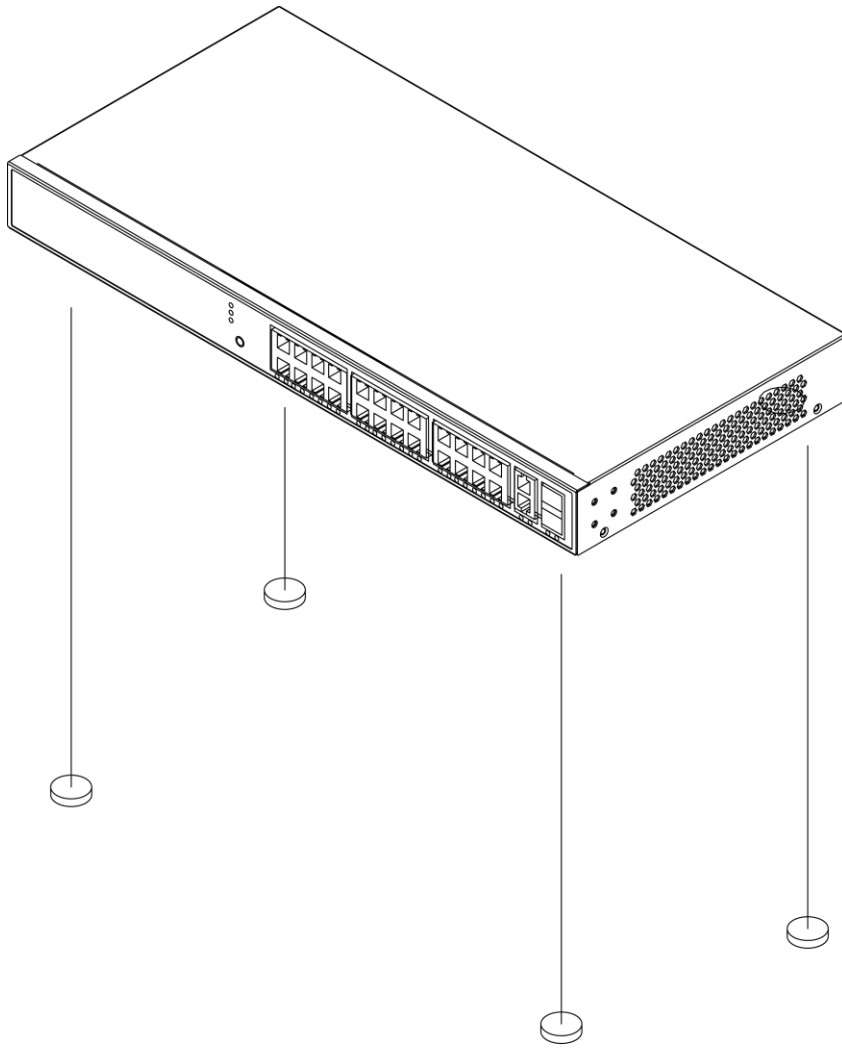


Mounting the Switch on Desk or Shelf

Step1. Verify that the workbench is sturdy and reliably grounded.

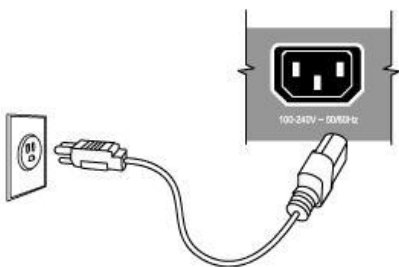
Step2. The rubber feet are included in the accessory kit. Attach the four adhesive rubber feet to the bottom of the switch.

Figure 6 Attaching the Rubber Feet



Connecting the AC Power Cord

Figure 7 Connecting the AC power cord to the AC power receptacle



Step1. Connect one end of the AC power cord to the AC power receptacle on the switch.

Step2. Connect the other end of the AC power cord to the AC power outlet.

Step3. Examine the power LED. If it is ON, the power connection is correct.

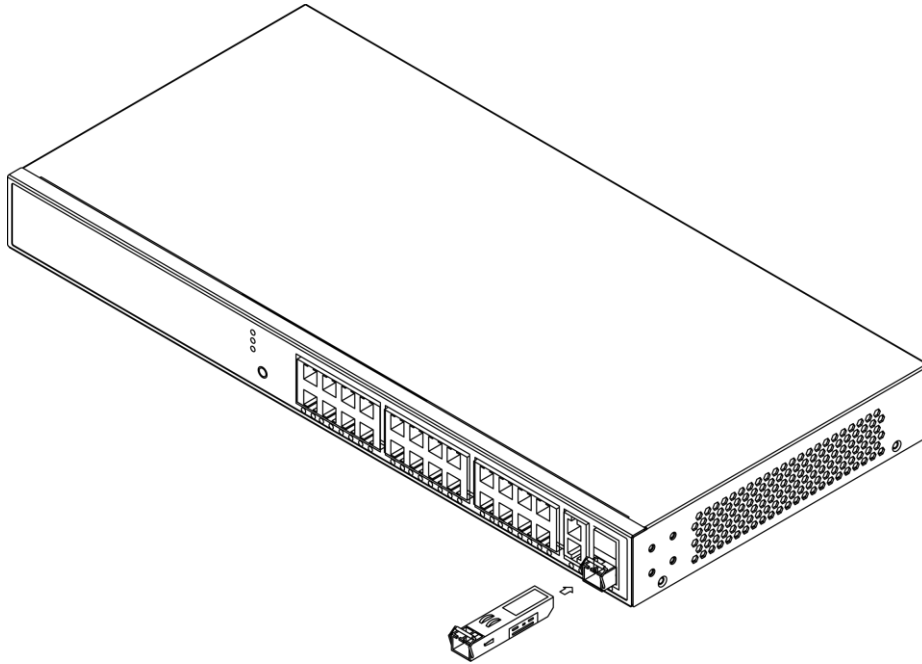
Installing SFP Modules

You can install or remove a mini-GBIC SFP from a mini-GBIC slot without having to power off the switch. Use only Manufacture mini-GBIC.

Step1. Insert the module into the switch port.

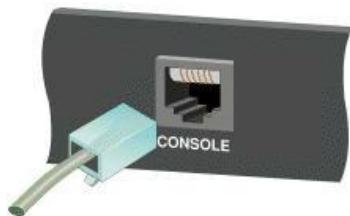
Step2. Press firmly to ensure that the module fits into the connector.

Figure 8 Installing a SFP Module into a SFP Module Slot



Connecting Console Port

Figure 9 Connecting Console Port



Start a terminal application such as HyperTerminal on the computer. Configure the utility with the following parameters

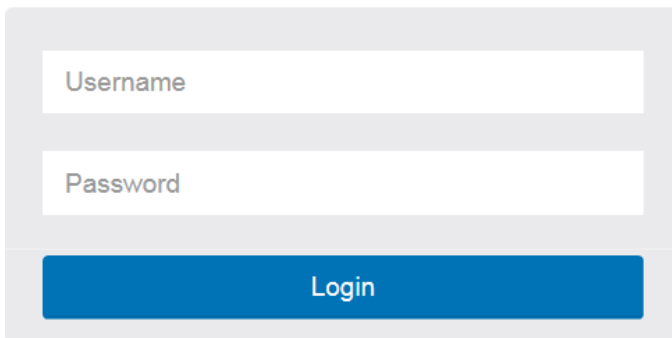
- Default Baud rate—115,200 bps
- Parity—None
- Stop bit—1
- Data bits—8
- Flow control—none

(The default username is "admin" and password is empty.)

Manage the Switch Using Web Browser

After you power up the switch for the first time, you can configure the switch using a web browser. For more information about managing the switch, see the user interface manual.

Figure 10 Web Interface login page



The image shows a login form with two input fields: 'Username' and 'Password'. Below the fields is a blue button labeled 'Login'.

Step1. Power on the computer and the switch.

Step2. Plug in the power cable.

Step3. Set the IP configuration on your computer.



NOTE:

1. If the switch is using the default factory IP address of 192.168.1.1, users can choose an IP address for the computer in the range of 192.168.1.1—192.168.1.253 that is not already in use.
 2. If the IP address is assigned by a DHCP server, ensure the DHCP server is running and can be reached from the switch and the computer. It might be necessary to disconnect and reconnect the devices for them to discover their new IP addresses from the DHCP server.
-

Step4. Enter the username and password (The default username is “admin” and the password should remain empty) and then click “Login” to login to the switch configuration window.

Troubleshooting Chart

The following table lists Issues, Causes, and Action to possible problems.

Table 3 Troubleshooting Chart

Issues	Cause	Action
SYSTEM LED Off	No power is received.	<p>Check the power cord connections for the switch and the connected device.</p> <p>Make sure that all cables used are correct and comply with Ethernet specifications.</p>
Link LED Off	Port connection is not working.	<ul style="list-style-type: none"> • Check the crimp on the connectors. Ensure that the plug is fully inserted and locked into the port on both the switch and the connecting device. • Ensure that the correct cables are used and comply with Ethernet specifications. • Check for a defective adapter card, cable, or port by testing it in an alternate environment where all units are functioning.
Slow file transfer or performance degradation.	Half- or full-duplex setting on the switch and the connected device are not the same.	<ul style="list-style-type: none"> • Ensure that the attached device is set to auto-negotiate. • Check the system message log.
Device is not recognized as part of the network.	One or more devices are not properly connected, or cabling does not meet Ethernet guidelines.	Verify that the cabling is correct. Ensure that all connectors are securely connected to the appropriate ports. Equipment might have been accidentally disconnected.

Appendix A Technical Specifications

Hardware Specification

Table 4 Hardware Specification

Port Configuration	
10M/100M/1G RJ45 Port	24
100M/1G/2.5G RJ45 Port	--
100M/1G/10G RJ45 Port	--
100M/1G SFP Port	--
1G/2.5G SFP Port	--
1G/10G SFP+ Port	--
GbE RJ45/SFP Combo Port	2
Console Port	--
Total Ports	26
PoE Function	
IEEE802.3at (PoE+ 30W)	Y
IEEE802.3af (PoE 15.4W)	Y
UPoE(60W)	--
PoE Port	24
Available PoE Power	370W
HW Performance	
Switching Bandwidth	52Gbps
Forwarding Performance	38.7Mpps
MAC Address	8K
Jumbo Frames	9216 Bytes
Environmental Specification	
Operating Temperature	0°C to 45°C
Operating Humidity	10 to 90% RH
Storage Temperature	-20 to 70°C
Storage Humidity	10 to 90% RH
Mechanical Specification	
Dimensions (H) x (W) x (D) mm	44 x 442 x 211
Weight	3.5 Kg
FAN Less	--
Power Source	
AC Input	100V-240V
DC Input	--
AC/DC Dual Input	--

1000 MBPS Gigabit Ethernet Collision Domain

Table 5 Maximum 1000BASE-T Gigabit Ethernet Cable Length

Cable Type	Maximum Cable Length	Connector
Category 5, 5e or 6 100-ohm UTP or STP	100.m (328 ft)	RJ-45

Table 6 Maximum 1000BASE-SX Gigabit Fiber Cable Length

Fiber Size	Fiber Bandwidth	Maximum Cable Length	Connector
62.5/125 micron multimode fiber	160 MHz/km	220 m (722 ft)	LC
	200 MHz/km	275 m (902 ft)	LC
50/125 micron multimode fiber	400 MHz/km	500 m (1641 ft)	LC
	500 MHz/km	550 m (1805 ft)	LC

Table 7 Maximum 1000BASE-LX/LHX/XD/ZX Gigabit Fiber Cable Length

Fiber Size	Fiber Bandwidth	Maximum Cable Length	Connector
9/125 micron single-mode fiber 1310nm	N/A	10km (6.2 miles)	LC
9/125 micron single-mode fiber 1550nm	N/A	30km (18.64 miles)	LC
		50km (31.06 miles)	LC

Table 8 Maximum 1000BASE-LX Single Fiber Gigabit Fiber Cable Length

Fiber Size	Fiber Bandwidth	Maximum Cable Length	Connector
Single-mode TX-1310nm RX-1550nm	N/A	20km (12.42miles)	BIDI
			LC
Single-mode TX-1550nm RX-1310nm	N/A	20km (12.42miles)	BIDI
			LC